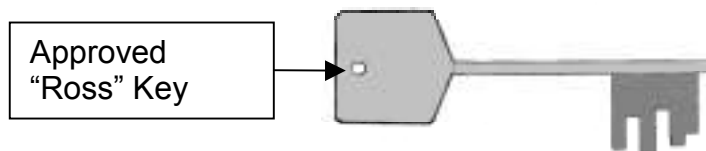


Before you buy a safe!

Before the club will endorse the purchase of your first handgun, they must approve your safe keeping facilities. The inspection is done by a committee member or somebody appointed by the committee. The Victorian Police requirement is that any safe weighing less than 150 Kg must be “Securely bolted to the structure”.

This document is to give some tips on buying a safe and to explain the SSPC's 'minimum requirement' for mounting that safe, before we will sign off on your Form 3.

- The club (and the Police) will not approve a safe mounted in a garage or shed that is not part of the house. Plan to mount it inside the house!
- The safe must have a minimum of 5mm thick walls and door. NSW now requires 10mm steel so if you have a choice, plan ahead. The rules can always get tougher here.
- Generally, external hinges are considered too easy to attack but if they are backed up by additional internal mechanism (such as hinge pins, sliding bolts, internal door retention brackets, etc), they can be acceptable.
- Don't buy a 'fireproof document safe' such as purchased from Office Suppliers etc. These are built to withstand fire but built with layers of relatively thin steel and insulating material.
- The club (and the Police) do not approve of cheap combination locks. In some instances where a key is used in conjunction, they may be approved. The preference is the 'Ross' type lock with at least 5 levers (see Drawing).

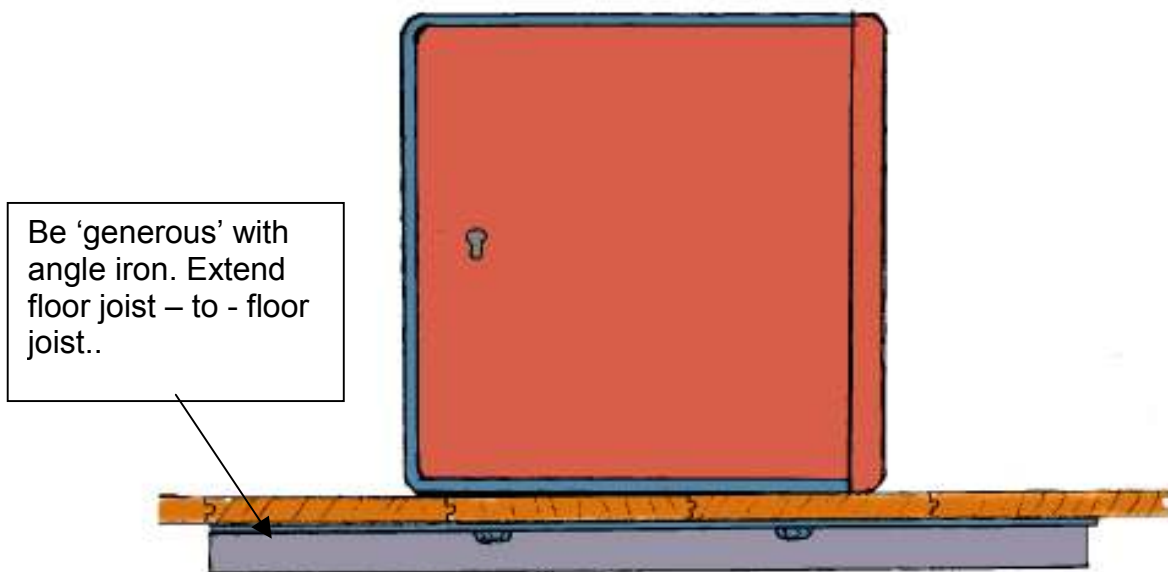
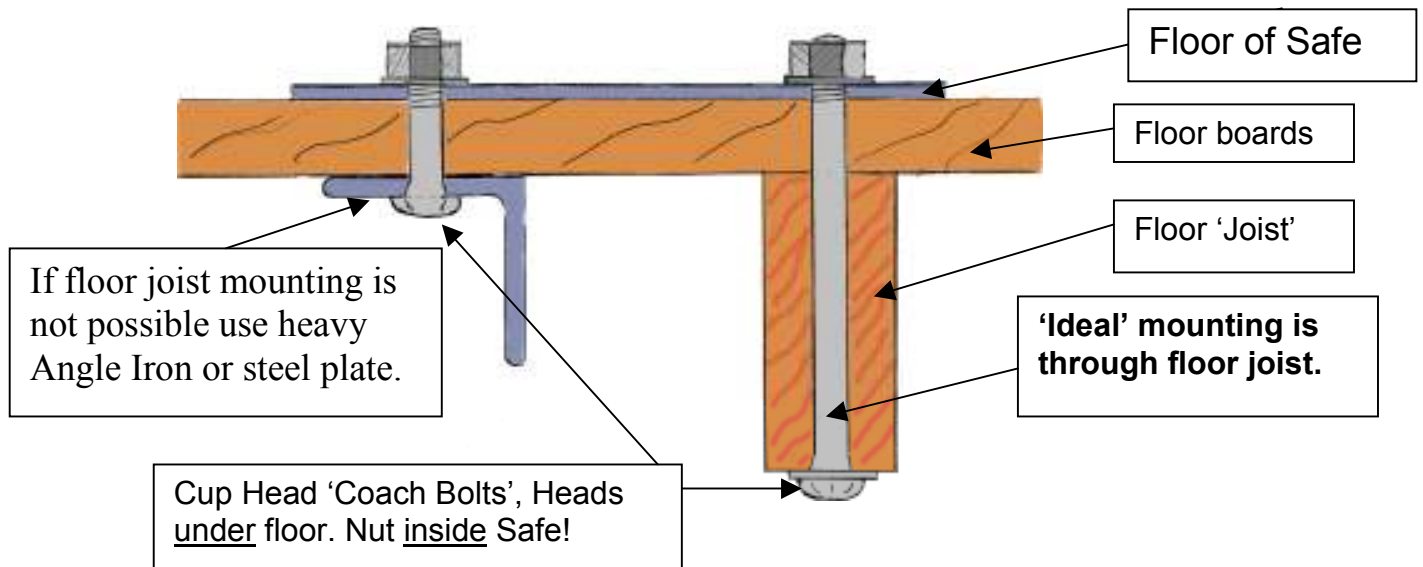


- Remember, if you are the only 'licensed person' in the house. You must be the only person with access to the key. (Note: even the Police will have to come back another time, if you are not there!)
- The 'best' location for a safe is in the floor of a built in cupboard so that it is not visible from windows etc and not obvious to visitors.
- For a wooden floor, see drawings attached for suggested mounting. For a concrete floor four 'Dynabolts' or 'Loxins' with a minimum shaft diameter of 9.5mm (3/8") are recommended. Insurance companies recommend a good layer of liquid nails to help stick the safe to a concrete floor!
- Don't leave things outside the safe that will give a clue to its contents. An empty Smith & Wesson box on top of the safe is inclined to attract the interest of the casual housebreaker.
- When the Police calculate the total number of firearms at the property, they include long-arms as well as handguns. Is it time you had an alarm system as well?

Finally, think like a housebreaker, what would you do to get into the safe or tear it off it's mountings. One of the reasons we don't approve garages is the convenience of power tools and crowbars etc.

Typical 'wooden floor' installation.

Two strips of flat bar or Angle Iron running from floor joist to floor joist to prevent use of a jigsaw to remove floor and safe. These must be at least as thick as safe walls. Bolt in four places with 9.5mm minimum (3/8 inch) minimum bolts. (12mm is better). If you can bolt through a bearer as well do so. Even a strap over the bearer gives added security.



If you must leave the nuts under the floor, burr the thread so that they cannot be removed or weld the nuts to the plate or angle iron as extra security.

This is by no means intended to be the final word on the best and only way to mount your safe. Remember, it will be you standing before the magistrate explaining how your safe was removed and your guns stolen. If you think you have a better mounting method, talk to a committee member about it.